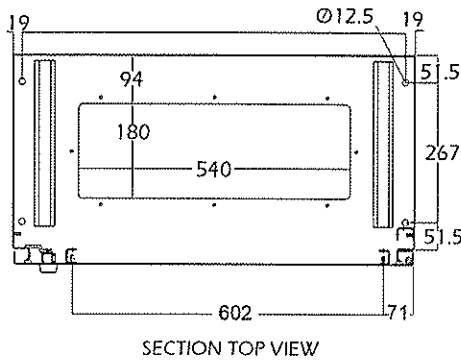
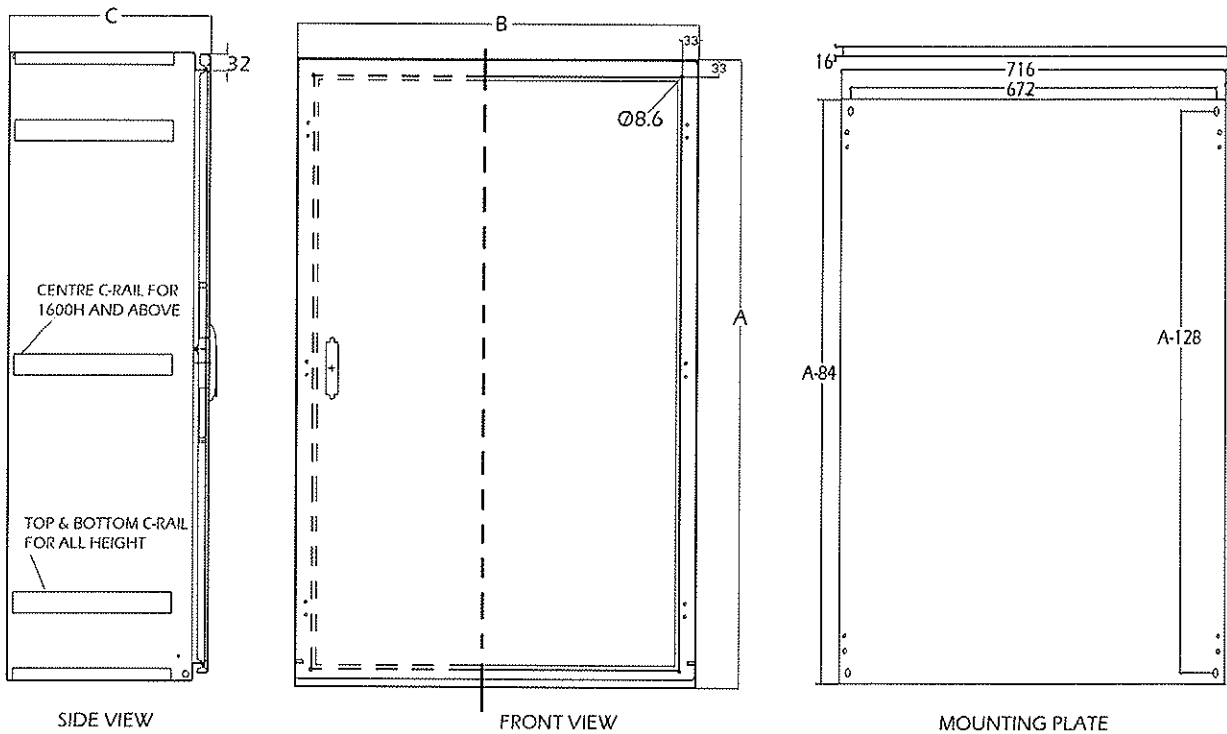


CVS METAL INDUSTRIES SDN BHD

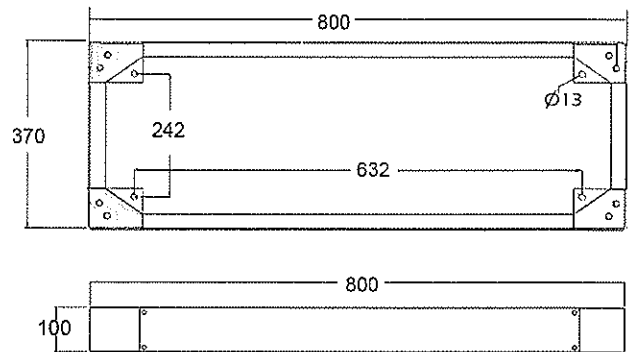
CVS-S25
REV.:1

SPECIFICATIONS & DIMENSIONS

FLOOR STANDING INDUSTRIAL ENCLOSURES CM800W



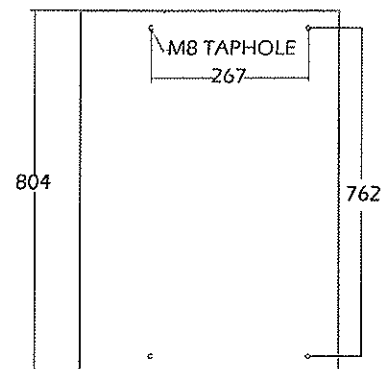
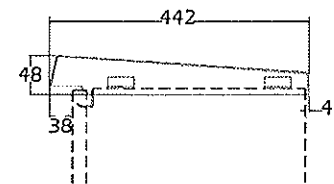
SECTION TOP VIEW



PLINTH

FLOOR MOUNTING ENCLOSURE			
MODEL NO.	A	B	C
CM148/40	1400	800	400
CM168/40	1600	800	400
CM188/40	1800	800	400
CM208/40	2000	800	400

PART NAME	MATERIAL	FINISH
BODY/COVER(DOOR)	2MM M.S	} RAL7032 - BEIGE (POLYESTER POWDER COATED)
GLAND PLATE	2MM M.S	
CANOPY	1.5MM M.S	
MOUNTING PLATE	3MM GI	ORIGINAL
PLINTH	2/3MM M.S	RALS004 - BLACK (POLYESTER POWDER COATED)

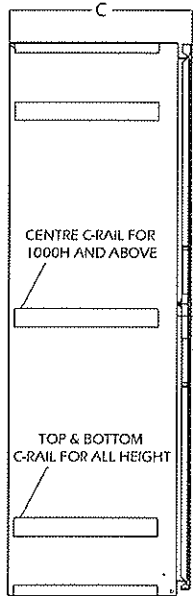


CANOPY

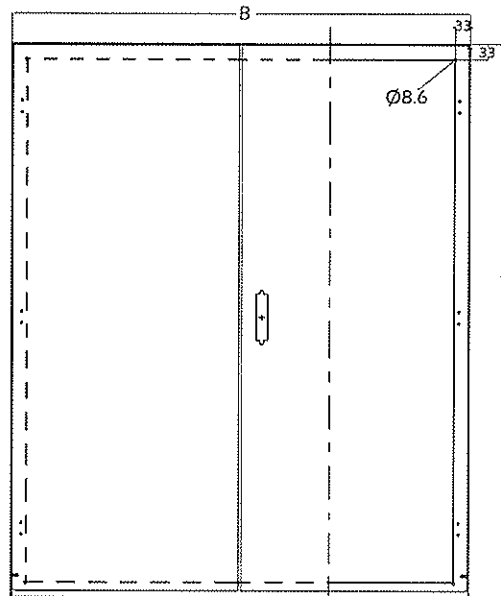
CVS METAL INDUSTRIES SDN BHD

SPECIFICATIONS & DIMENSIONS

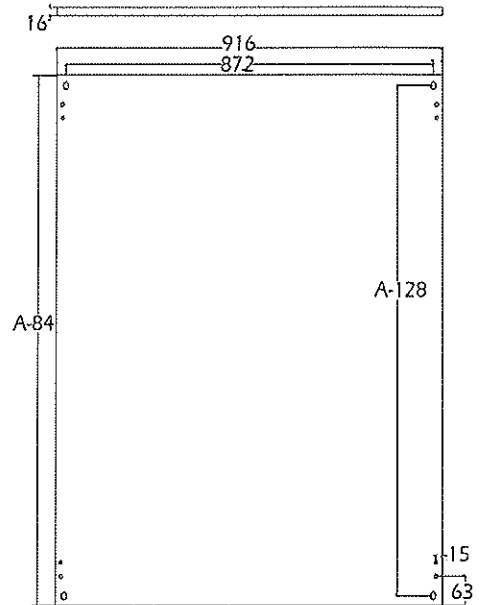
FLOOR STANDING INDUSTRIAL ENCLOSURES CM1000W



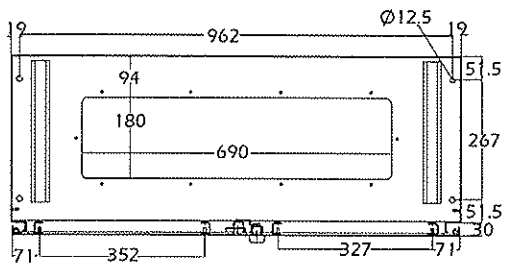
SIDE VIEW



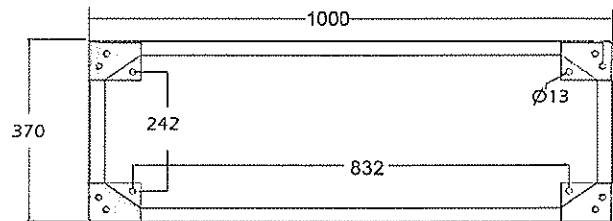
FRONT VIEW



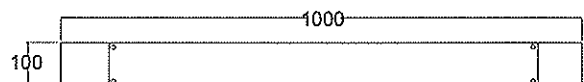
MOUNTING PLATE



SECTION TOP VIEW

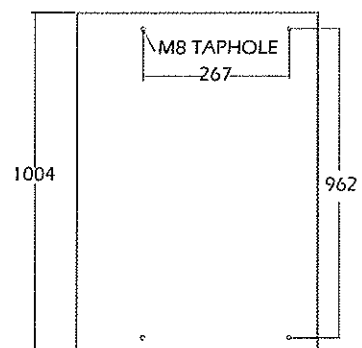
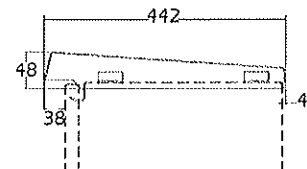


PLINTH



FLOOR STANDING ENCLOSURE			
MODEL	A	B	C
CM1410/40	1400	1000	400
CM1610/40	1600	1000	400
CM1810/40	1800	1000	400
CM2010/40	2000	1000	400

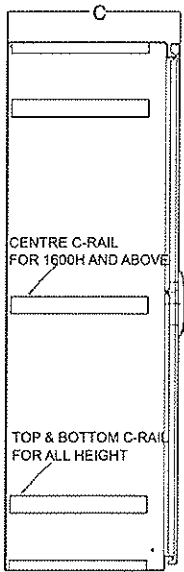
PART NAME	MATERIAL	FINISH
BODY/COVER(DOOR)	2MM M.S	RAL7032 - BEIGE (POLYESTER POWDER COATED)
GLAND PLATE	2MM M.S	
CANOPY	1.5MM MS	
MOUNTING PLATE	3MM GI	ORIGINAL
PLINTH	2/3MM M.S	RAL5004 - BLACK (POLYESTER POWDER COATED)



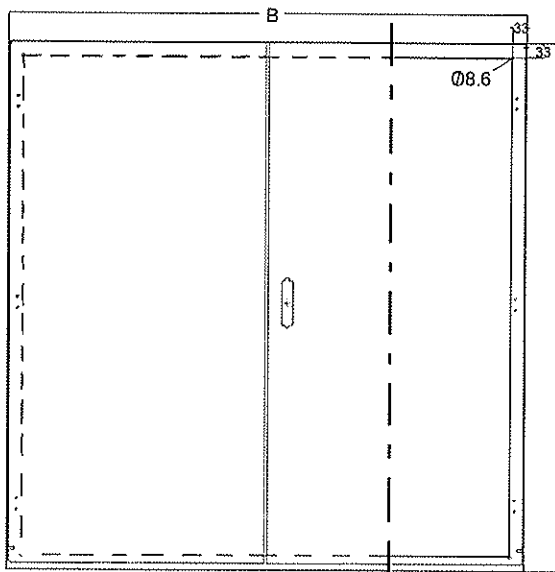
CANOPY

SPECIFICATIONS & DIMENSIONS

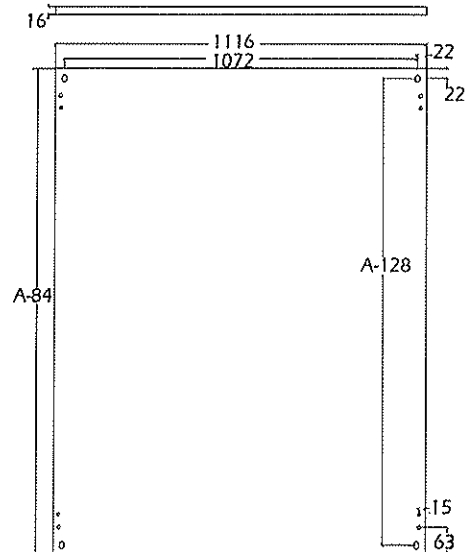
FLOOR STANDING INDUSTRIAL ENCLOSURES
CM1200W



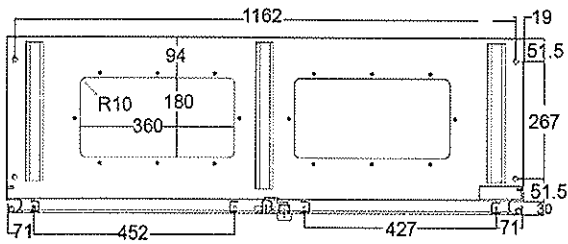
SIDE VIEW



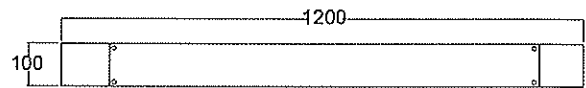
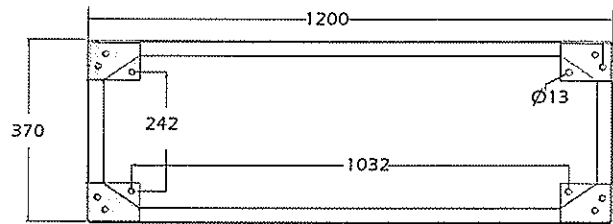
FRONT VIEW



MOUNTING PLATE

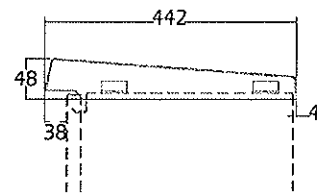


SECTION VIEW

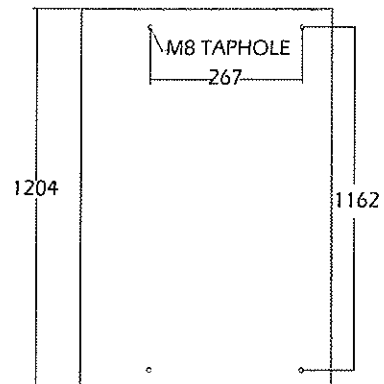


PLINTH

FLOOR STANDING ENCLOSURE			
MODEL	A	B	C
CM1612/40	1600	1200	400
CM1812/40	1800	1200	400
CM2012/40	2000	1200	400



PART NAME	MATERIAL	FINISH
BODY/DOOR	2MM M.S	} RAL7032 - BEIGE (POLYESTER POWDER COATED)
GLAND PLATE	2MM M.S	
CANOPY	1.5MM M.S	
MOUNTING PLATE	3MM GI	ORIGINAL
PLINTH	2/3MM M.S	RAL5004 - BLACK (POLYESTER POWDER COATED)



CANOPY